

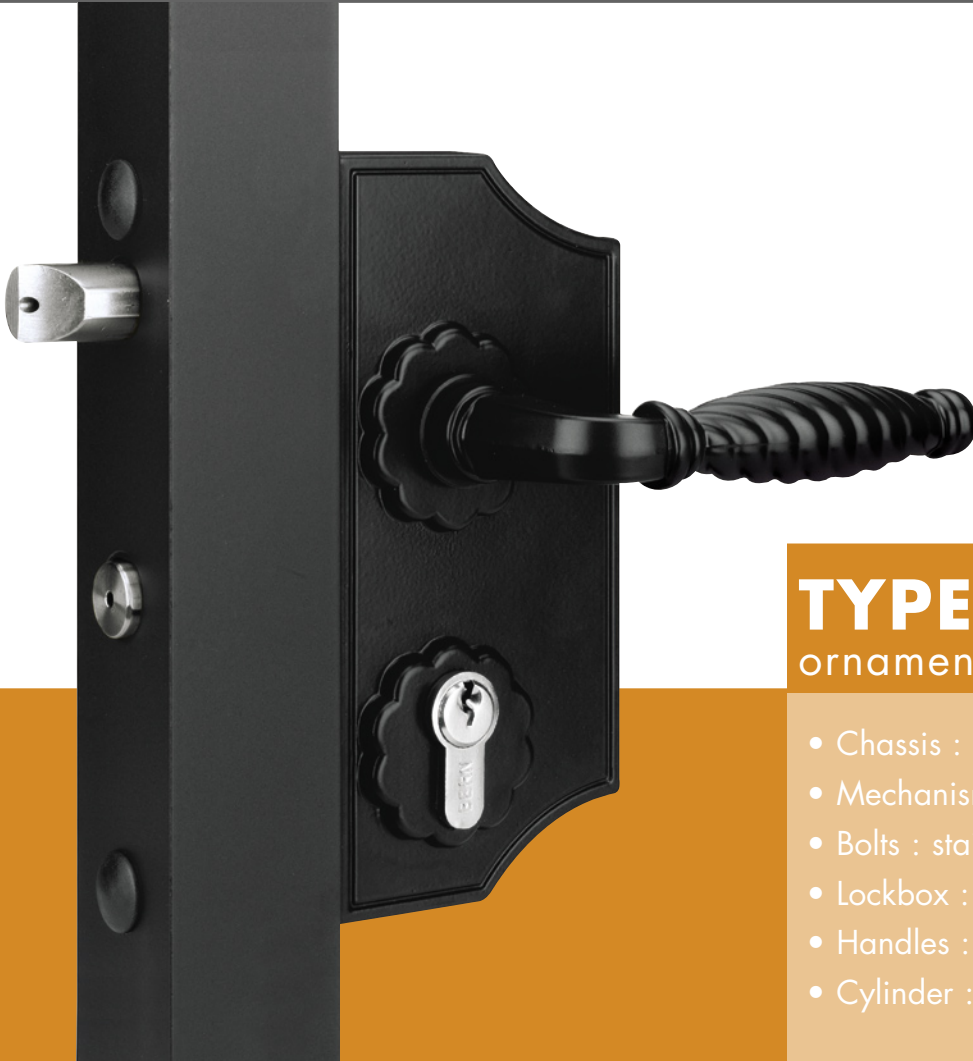
LOCINOX



USA

LOCKS FOR ORNAMENTAL GATES

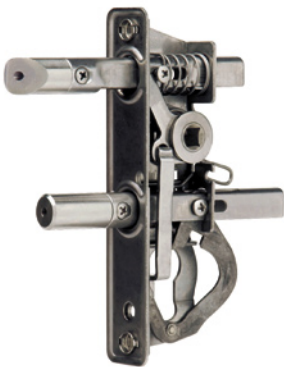
STAINLESS STEEL - (PATENTED)



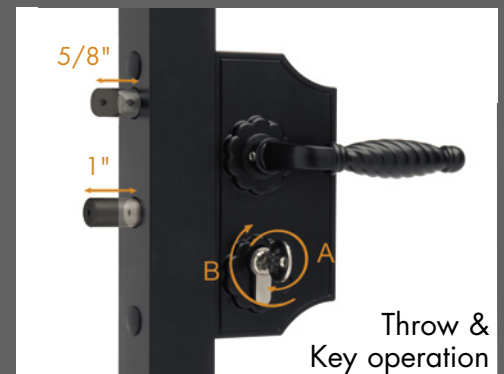
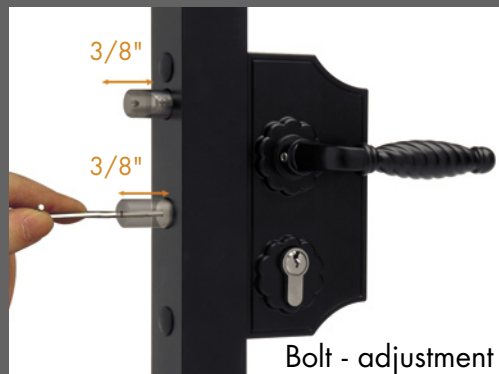
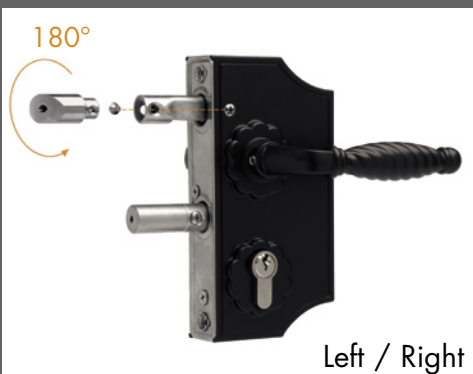
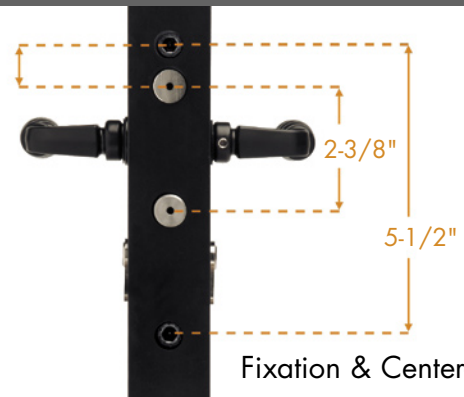
TYPE LAKY F2

ornamental

- Chassis : stainless steel
- Mechanism : stainless steel
- Bolts : stainless steel
- Lockbox : aluminium
- Handles : zamack
- Cylinder : europrofile 46 mm nickel

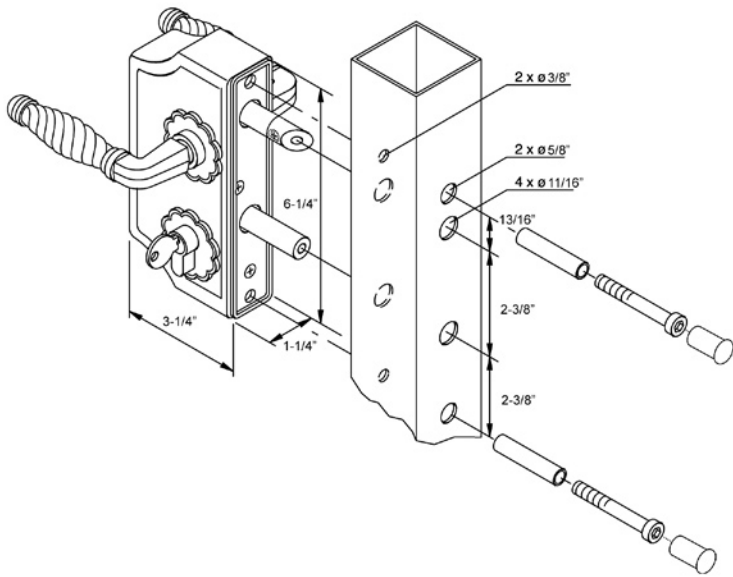


Stainless steel



TYPE LAKY F2

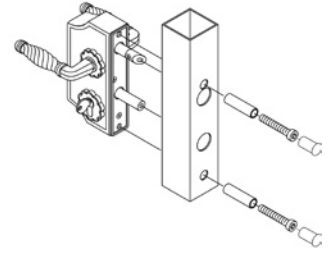
ORNAMENTAL



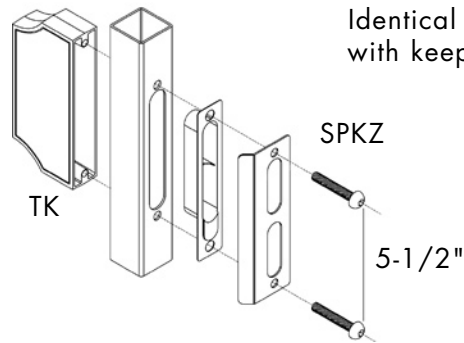
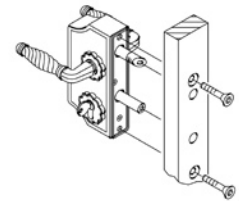
LAKY30 F2
Profiles ∇ 1-1/4" till 1-1/2"

LAKY40 F2
Profiles ∇ 1-1/2" till 2"

LAKY50 F2
Profiles ∇ 2" till 2-3/8"



LAPY10 F2
Flat profiles 3/8" till 13/16"



Identical ornamental counter-lockbox TK
with keeper SPKZ

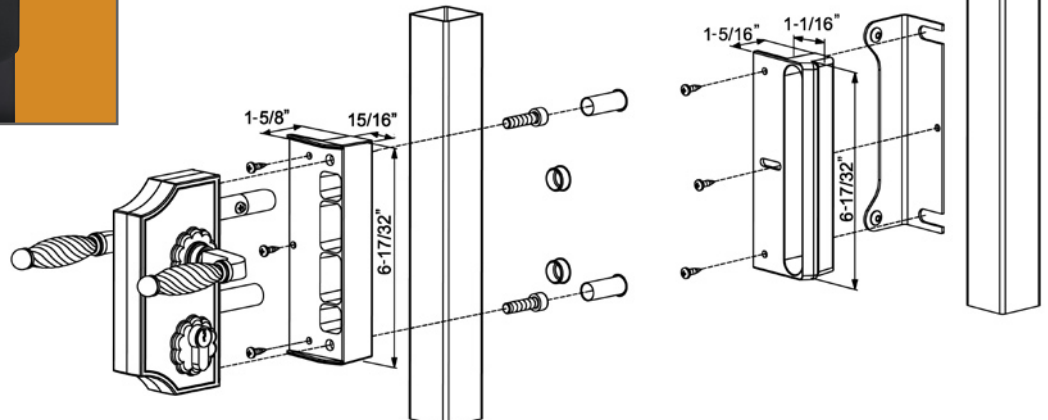
SURFACE MOUNTED: INSTALLATION KIT



LAKY30 F2 + I-KIT 60
Profiles ∇ 1-1/4" till 1-1/2"

LAKY40 F2 + I-KIT 60
Profiles ∇ 1-1/2" till 2"

LAKY50 F2 + I-KIT 60
Profiles ∇ 2" till 2-3/8"



LOCKS FOR ORNAMENTAL GATES

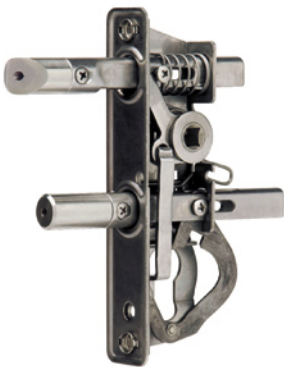
STAINLESS STEEL - (PATENTED)



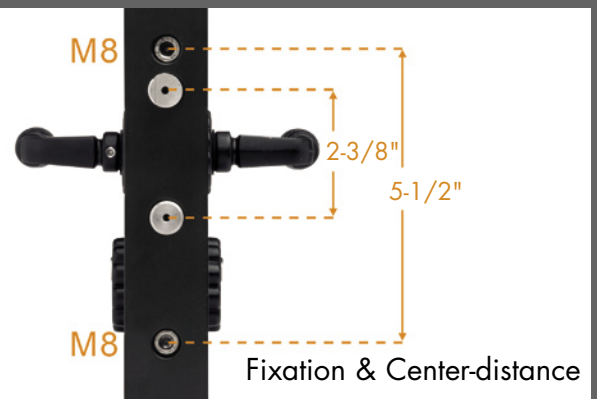
TYPE LAKQ H2

ornamental

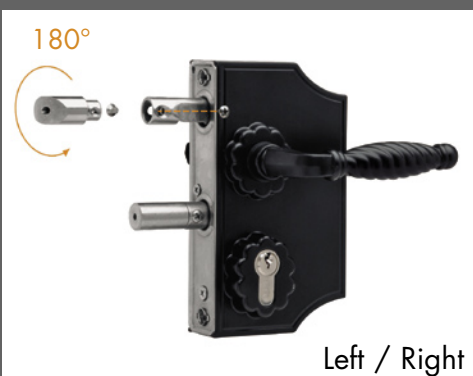
- Chassis : stainless steel
- Mechanism : stainless steel
- Bolts : stainless steel
- Lockbox : aluminium
- Handles : zamack
- Cylinder : europrofile 54 mm nickel



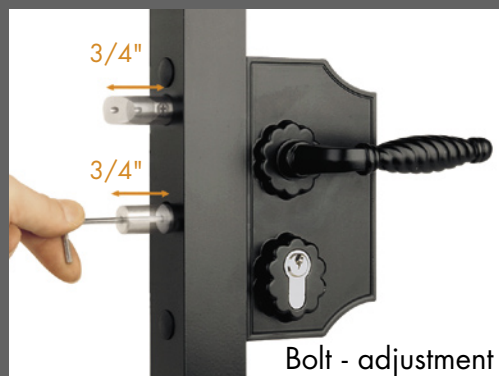
Stainless steel



Fixation & Center-distance



Left / Right



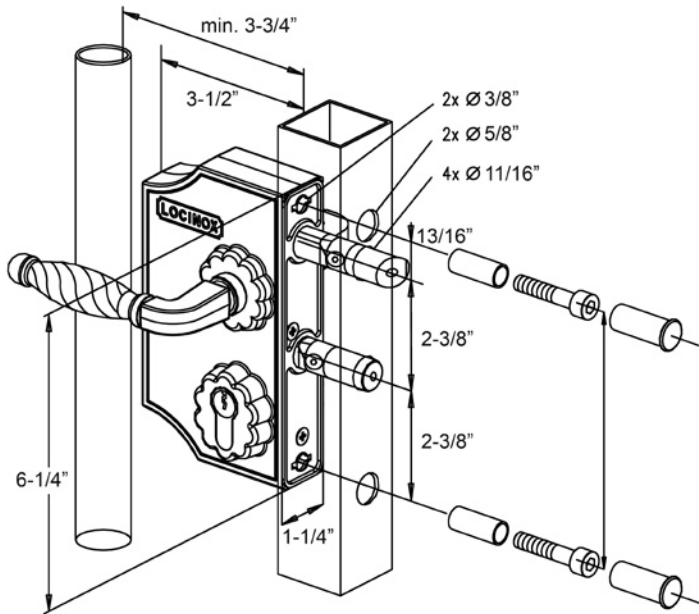
Bolt - adjustment



Throw & Key operation

TYPE LAKQ H2

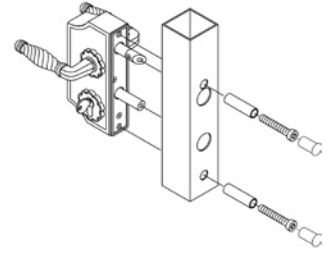
ORNAMENTAL



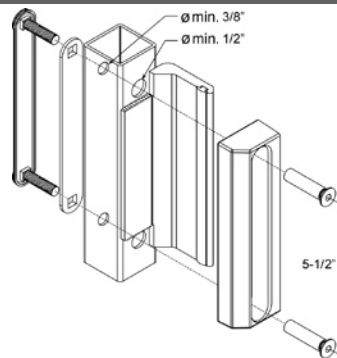
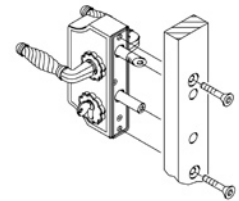
LAKQ30 H2
Profiles ∇ 1-1/4" till 2"

LAKQ40 H2
Profiles ∇ 1-1/2" till 2-3/8"

LAKQ60 H2
Profiles ∇ 2-3/8" till 3-3/16"



LAPQ10 H2
Flat profiles 3/8" till 1-1/4"



SAKL40
Profiles 1-1/2" till 2"

SAKL60
Profiles 2-3/8" till 3-3/16"

SAKL80
Profiles 3-3/16" till 4"

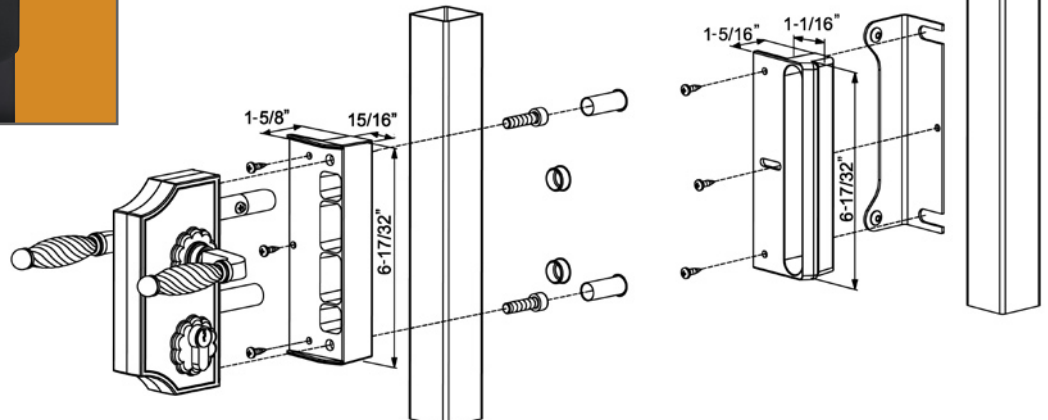
SURFACE MOUNTED: INSTALLATION KIT



LAKQ30 H2 + I-KIT 60
Profiles ∇ 1-1/4" till 2"

LAKQ40 H2 + I-KIT 60
Profiles ∇ 1-1/2" till 2-3/8"

LAKQ60 H2 + I-KIT 60
Profiles ∇ 2-3/8" till 3-3/16"



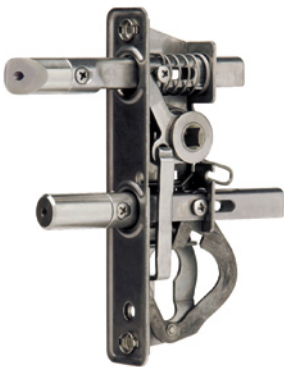
LOCKS FOR INDUSTRIAL GATES

STAINLESS STEEL - (PATENTED)

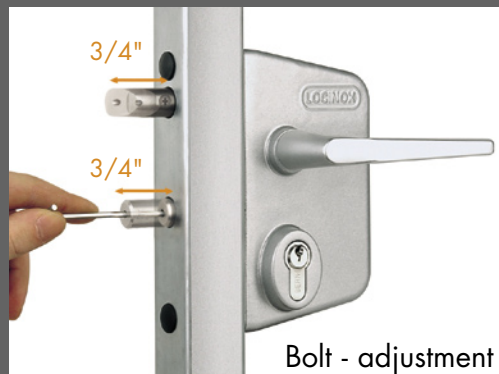
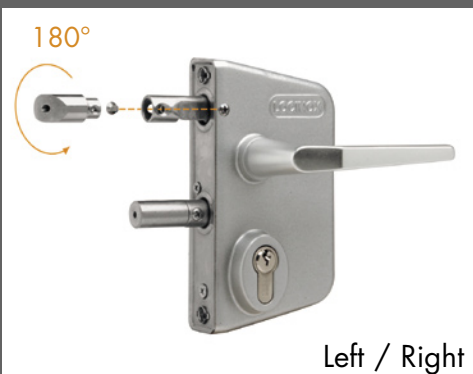
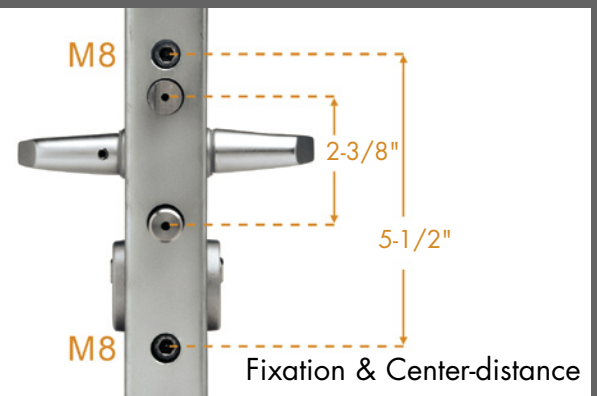


TYPE LAKQ U2 industrial

- Chassis : stainless steel
- Mechanism : stainless steel
- Bolts : stainless steel
- Lockbox : aluminium
- Handles : aluminium
- Cylinder : europrofile 54 mm nickel

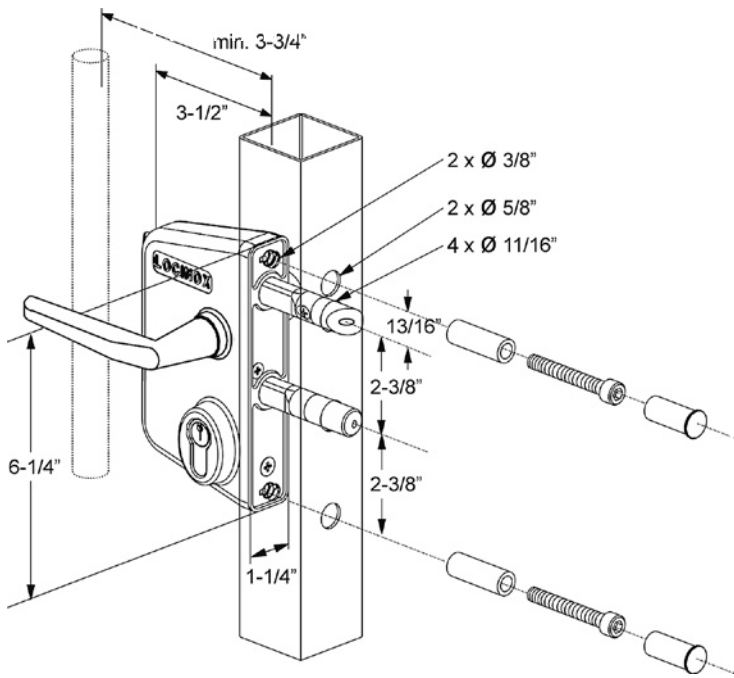


Stainless steel



TYPE LAKQ U2

INDUSTIAL



LAKQ30 U2
Profiles \varnothing 1-1/4" till 2"

LAKQ40 U2
Profiles \varnothing 1-1/2" till 2-3/8"

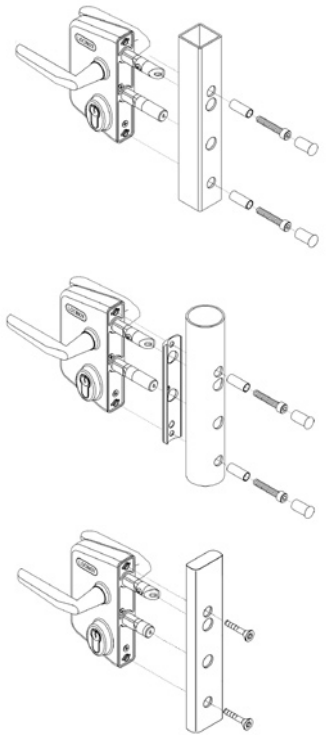
LAKQ60 U2
Profiles \varnothing 2-3/8" till 3-3/16"

LARQ30 U2
Profiles \varnothing 1-1/4" till 2"

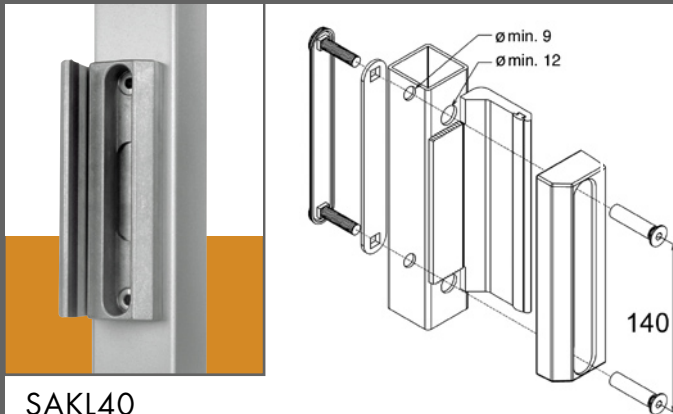
LARQ40 U2
Profiles \varnothing 1-1/2" till 2-3/8"

LARQ60 U2
Profiles \varnothing 2-3/8" till 3-3/16"

LAPQ10 U2
Flat profiles 3/8" till 1-1/4"



KEEPERS FOR SQUARE AND ROUND PROFILES FOR LAKQ U2-LOCK



SAKL40

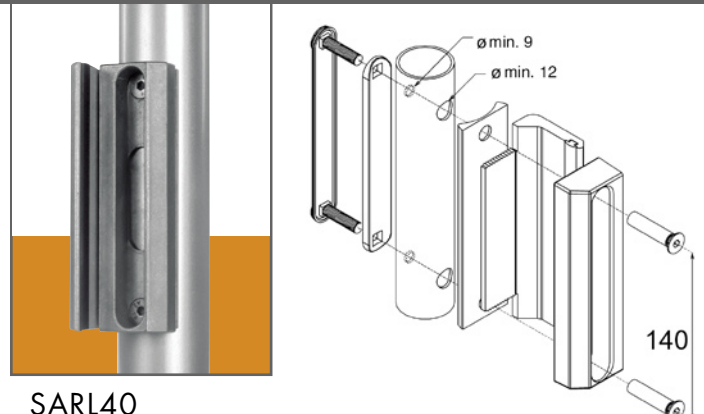
Profiles 1-1/2" till 2"

SAKL60

Profiles 2-3/8" till 3-3/16"

SAKL80

Profiles 3-3/16" till 4"



SARL40

Profiles 1-1/2" till 2"

SARL60

Profiles 2-3/8" till 3-3/16"

SARL80

Profiles 3-3/16" till 4"

OPTION: ELECTRICAL VERSION



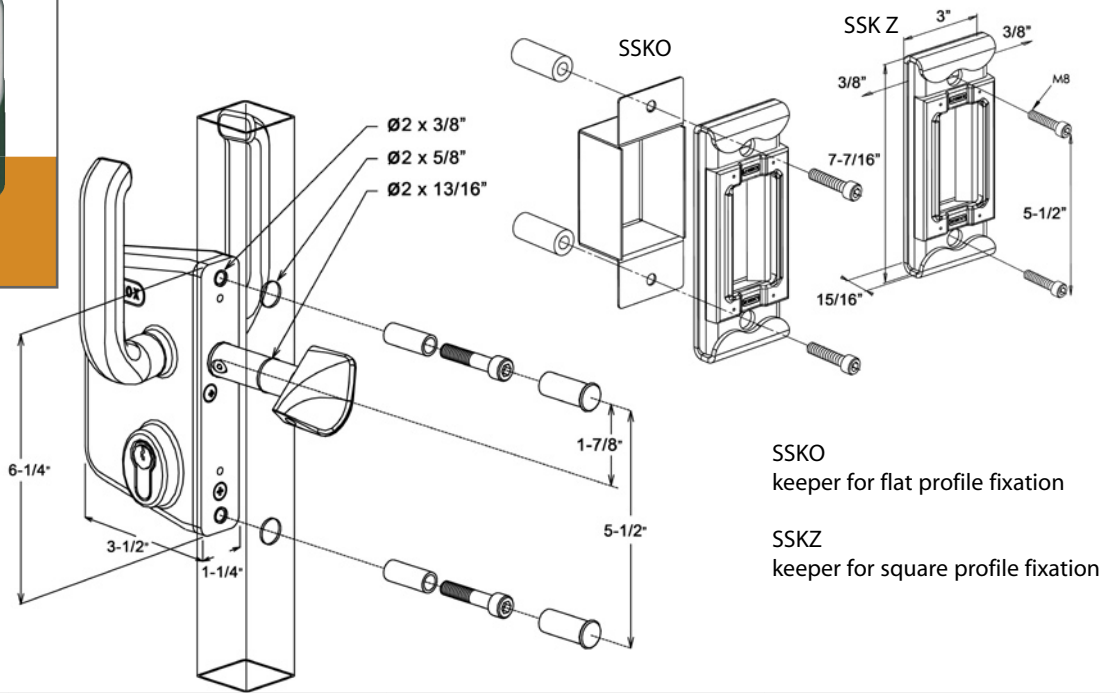
TYPE LAKE U4

- Stainless steel chassis, mechanism and bolts
- Loss of power, lock will revert to open position
- Blocking or releasing of the knobs
- 12V tension, consumption 0,3 Amp.
- Easy left or right changing of the self-latching bolt
- Continuous adjustment of the length of the bolts up to 3/4" without removing the lockbox
- Throw of 1" in 1 turn of the key
- Key-operated
- Fixing with 2 machine screws
- Center-distance bolts 2 - 3/8"

LOCKS FOR SLIDING GATES:

TYPE LSKZ U2

STAINLESS STEEL - (PATENTED)



LSKZ40

Profile 1-1/2"

LSKZ50

Profile 2"

LSKZ60

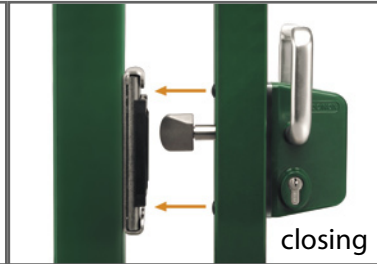
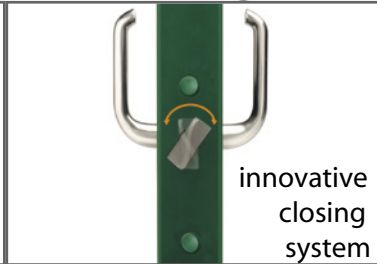
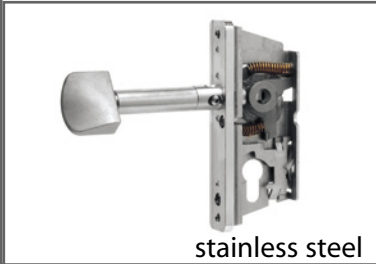
Profile 2-3/8"

LSKZ80

Profile 3-3/16 "

LSKZ100

Profile 4"



VINC I: MECHANICAL CODE LOCK FOR ACCESS

S CONTROL

PATENT PENDING



PUSH: EXIT LEVER SET FOR STAINLESS STEEL LOCKS

CKS

PATENT PENDING



GATE CLOSER FOR AUTOMATIC CLOSING OF SWINGING GATES

PATENT PENDING



TITAN : Gate closer in stainless steel

- 100% mechanical: no oil , no gas
- Fast and easy installation
- Continuous self-adjusting of the closing speed
- Closing force : 10 - 25 Nm
- Opening angle : max. 110°
- Size of gate : Height max. 98-7/16"
Width from 29-1/2" till 47-1/4" mm
Weight up to 176lb

NEW RELEASES 2006 - COMING SOON

NEW RELEASES 2006 - COMING SOON