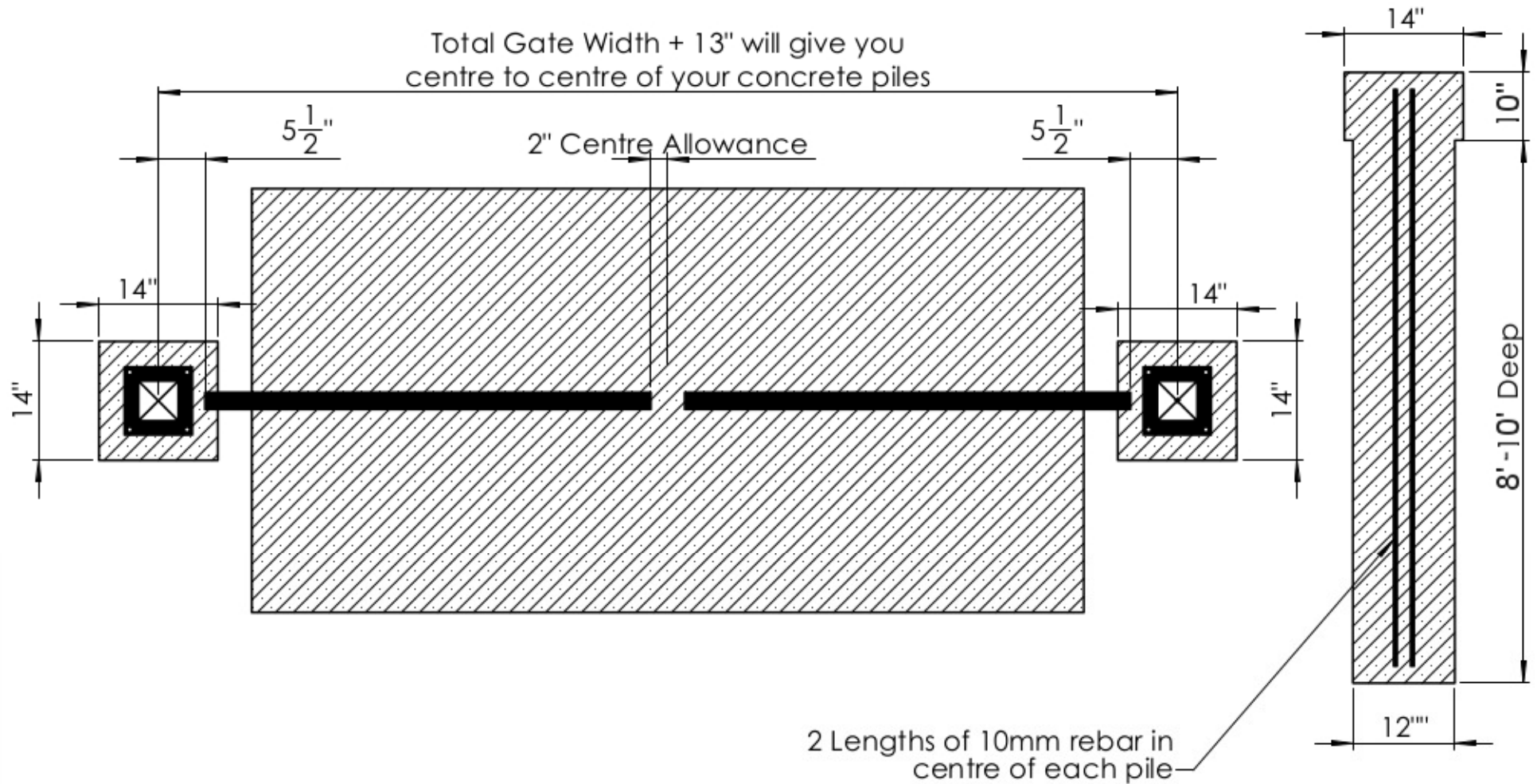


DUAL SWING GATE PILING DIAGRAM



Piles need to be flush with driveway surface

Piles need to be level and in line with each other

Piles must have 14" x 14" x 8" deep pile caps for our gates to be mounted properly

Heavenly Gates 8736-61 Ave. Edmonton, AB, Canada

T6E 5P6 Ph. (780) 490-4283 heavenlygates@telus.net Fax (780) 490-4285

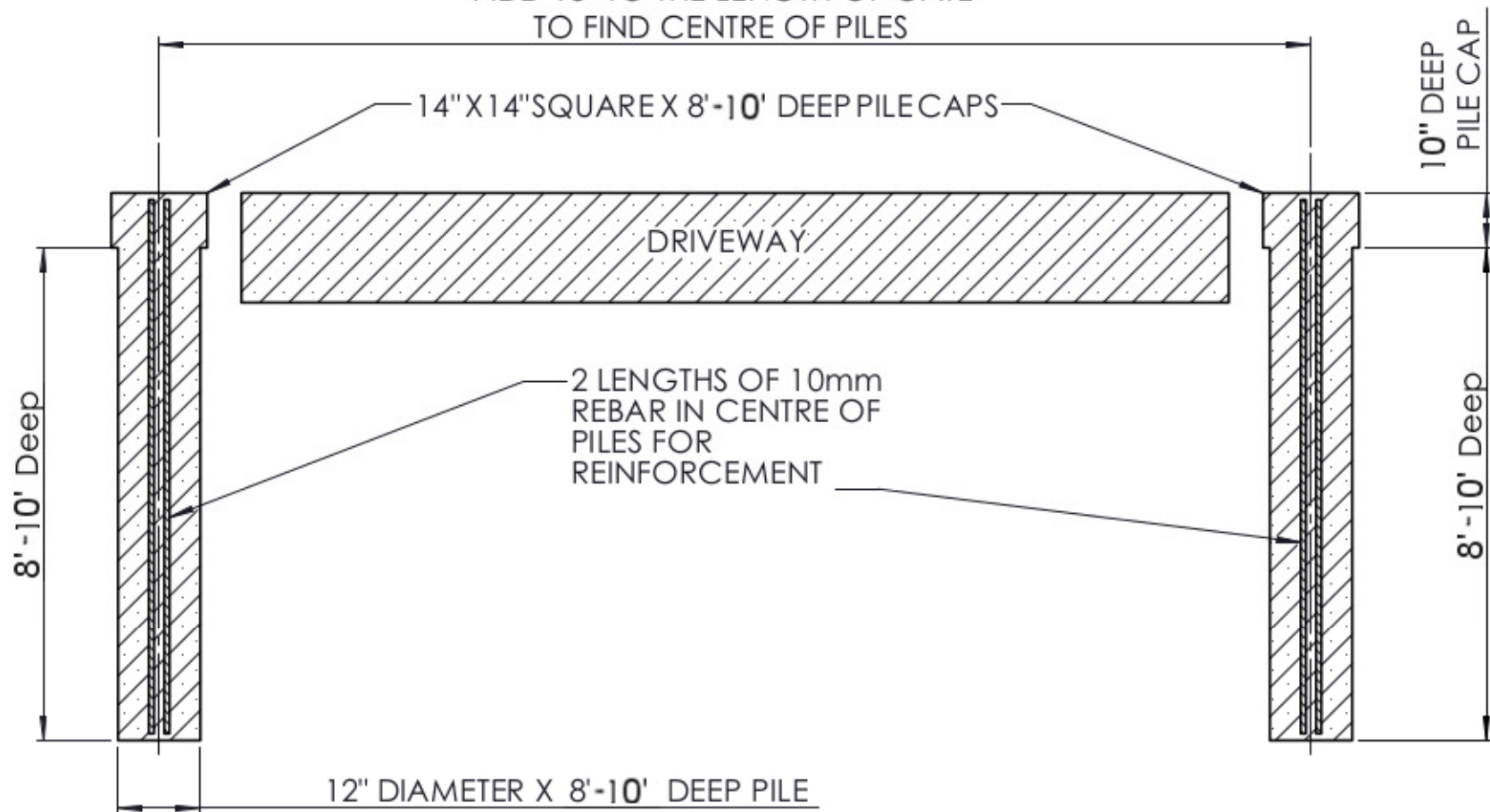
Heavenly Gates

"Providing peace of mind with a touch of elegance"

DUAL SWING GATE PILING DIAGRAM

* PLEASE NOTE THAT PILE CAPS SHOULD BE 14" X 14" SQUARE CAPS FOR STRING LINING PURPOSES

ADD 13" TO THE LENGTH OF GATE
TO FIND CENTRE OF PILES



* PLEASE NOTE THAT THE PILES NEED TO BE FLUSH WITH THE DRIVEWAY, LEVEL WITH EACH OTHER AND IN A STRAIGHT LINE

PILE SECTION VIEW



THE INFORMATION CONTAINED IN THIS DRAWING IS THE SOLE PROPERTY OF HEAVENLY GATES. ANY REPRODUCTION IN PART OR AS A WHOLE WITHOUT THE WRITTEN PERMISSION OF HEAVENLY GATES IS PROHIBITED.