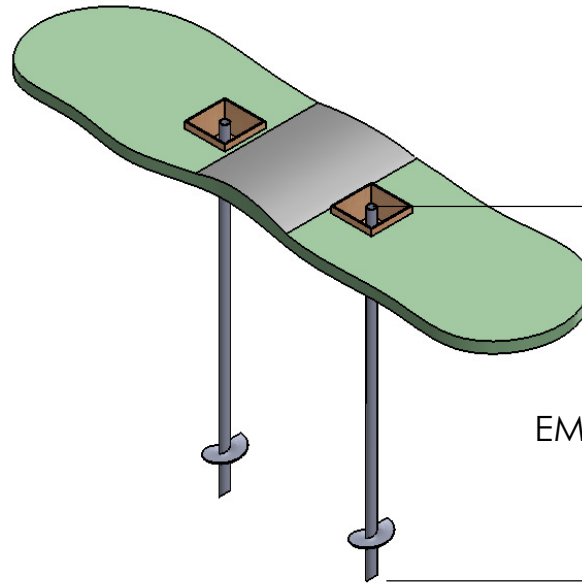
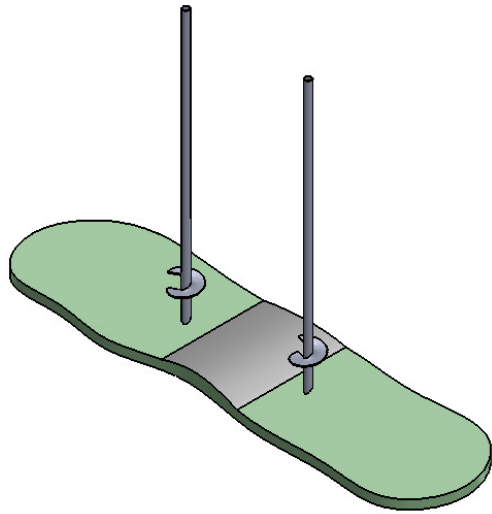
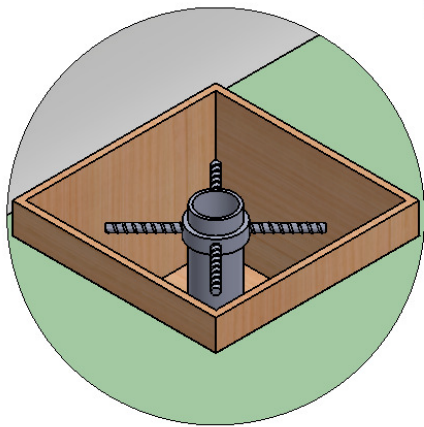


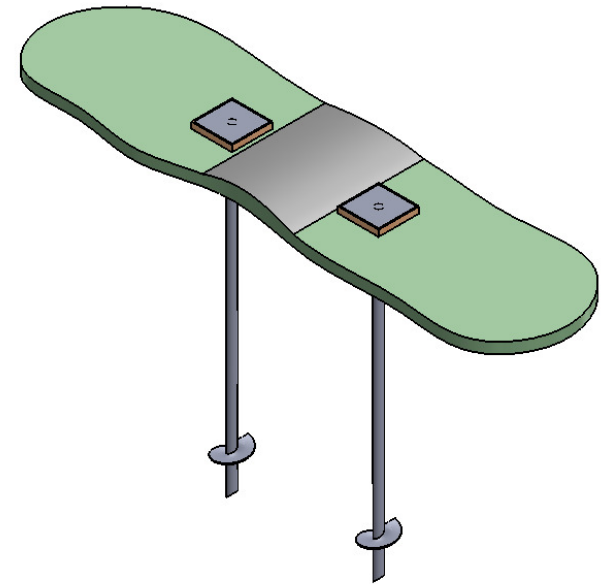
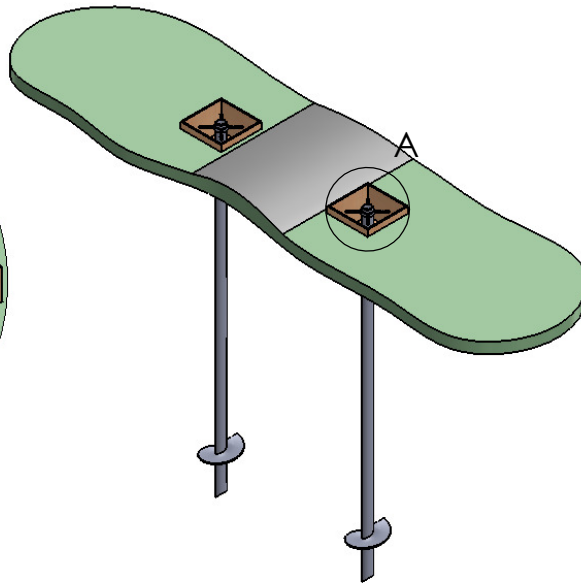
CONCRETE PAD SCREW PILES



10'
MINIMUM
EMBEDMENT DEPTH



DETAIL A



Heavenly Gates

"Providing peace of mind with a touch of elegance"

Heavenly Gates 8736-61 Ave. Edmonton, AB, Canada
T6E 5P6 Ph. (780) 490-4283 heavenlygates@telus.net Fax (780) 490-4285